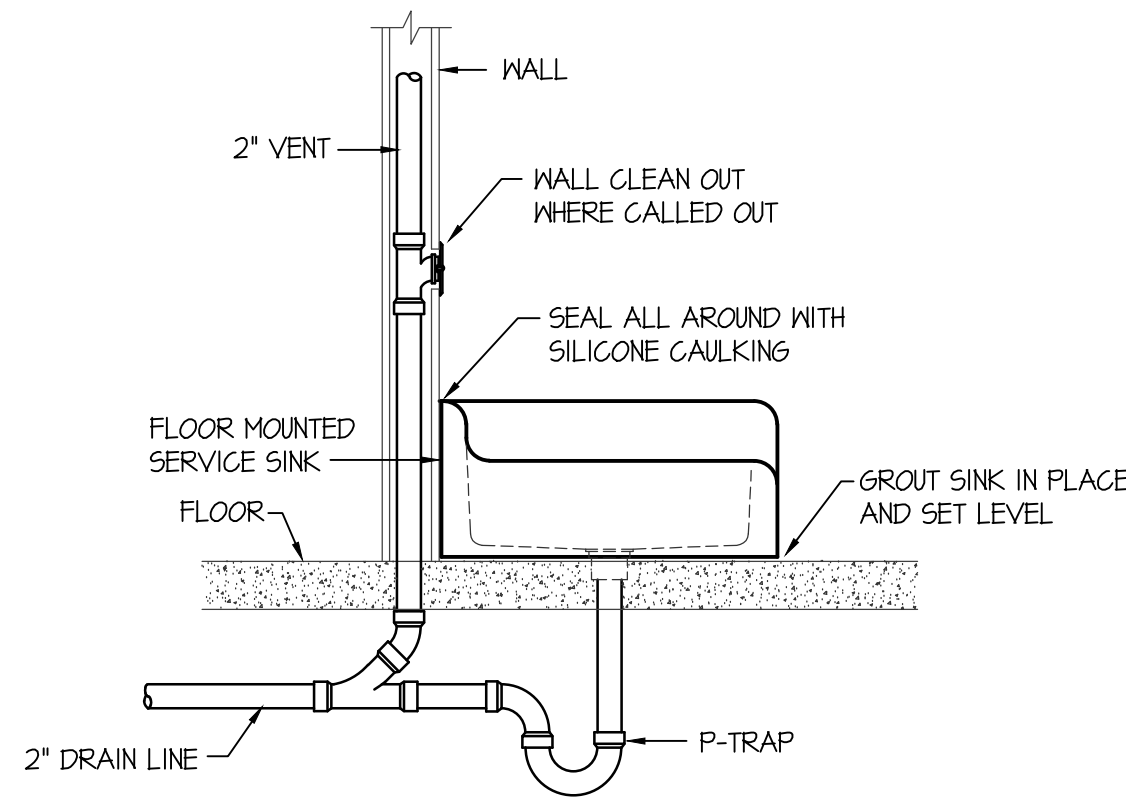
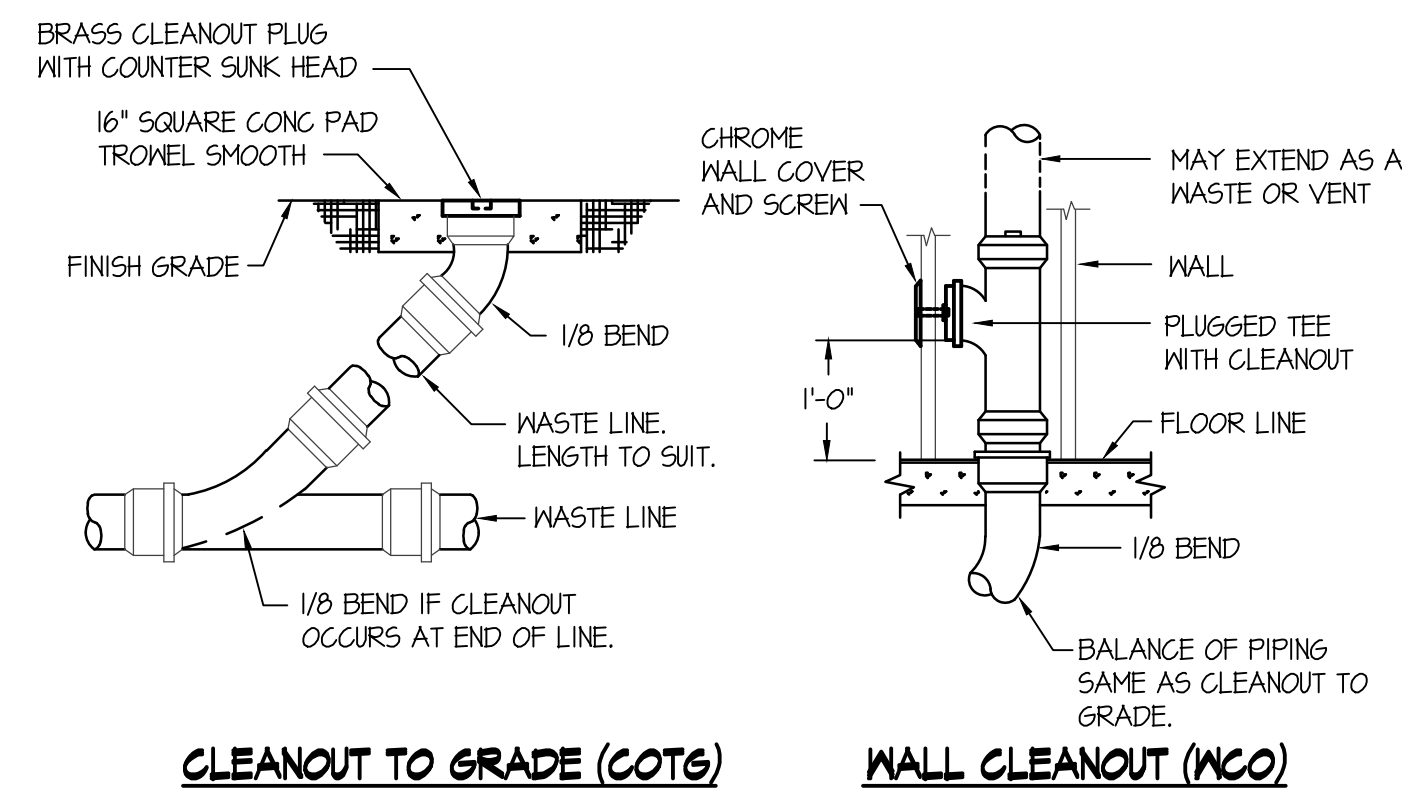


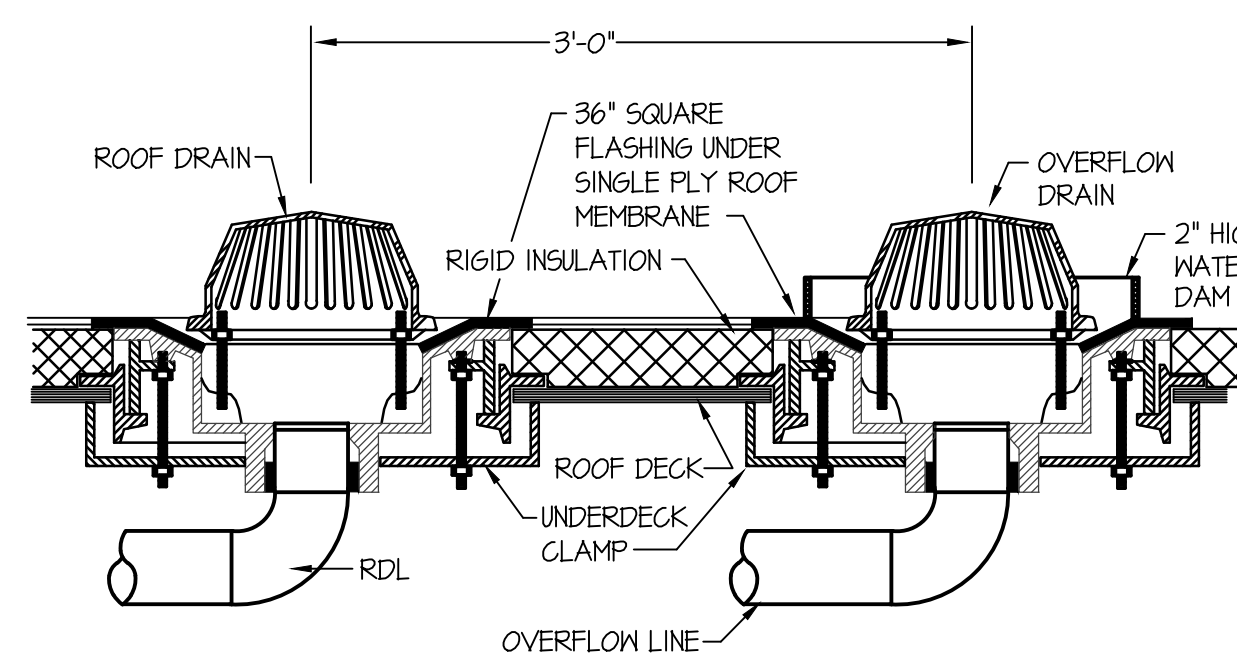
ROOF TOP GAS PRESSURE REGULATOR DETAIL
NO SCALE (EMERGENCY GENERATOR CONNECTION SIMILAR)



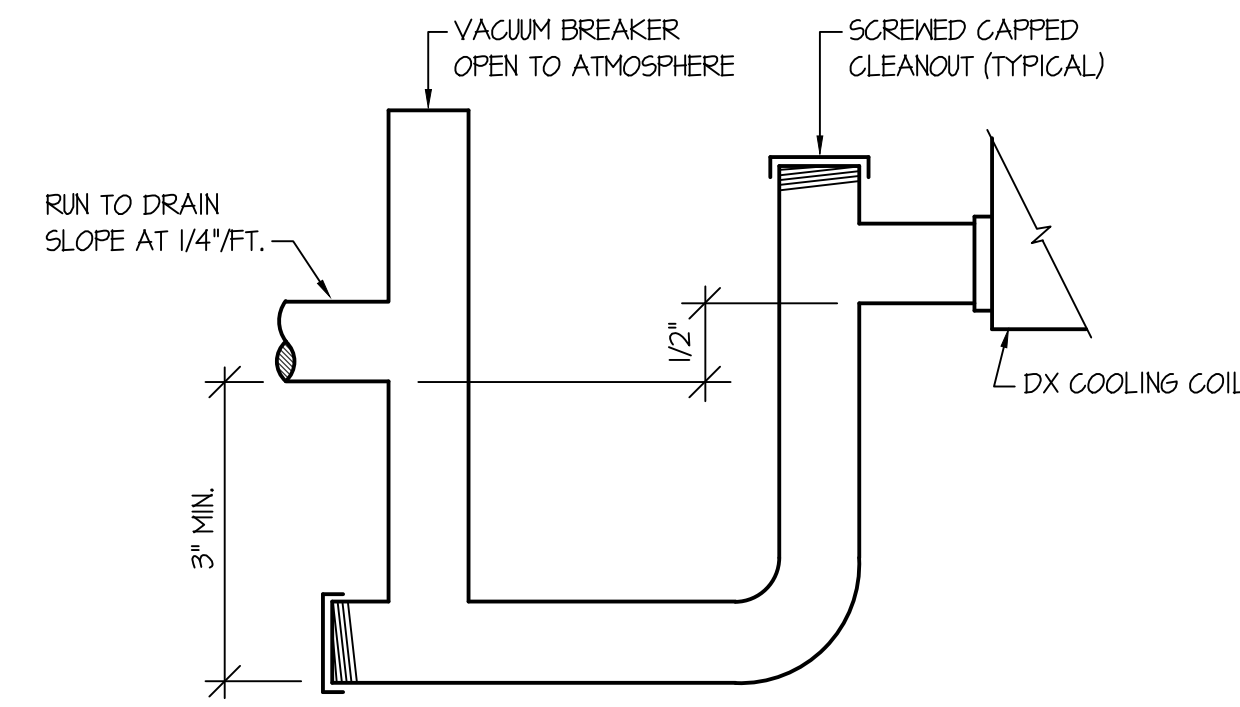
SERVICE SINK INSTALLATION DETAIL
NO SCALE



CLEAN OUT DETAILS
NO SCALE

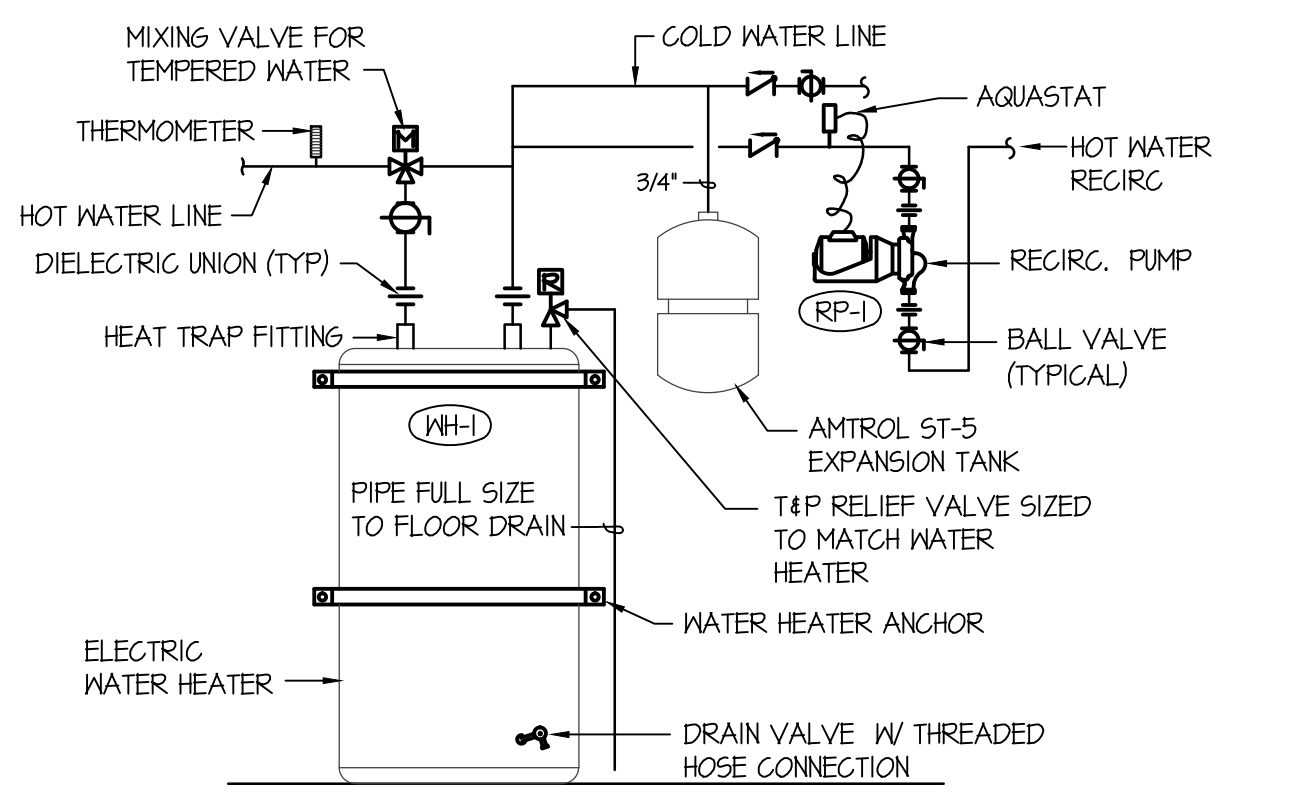


ROOF DRAIN DETAIL
NO SCALE

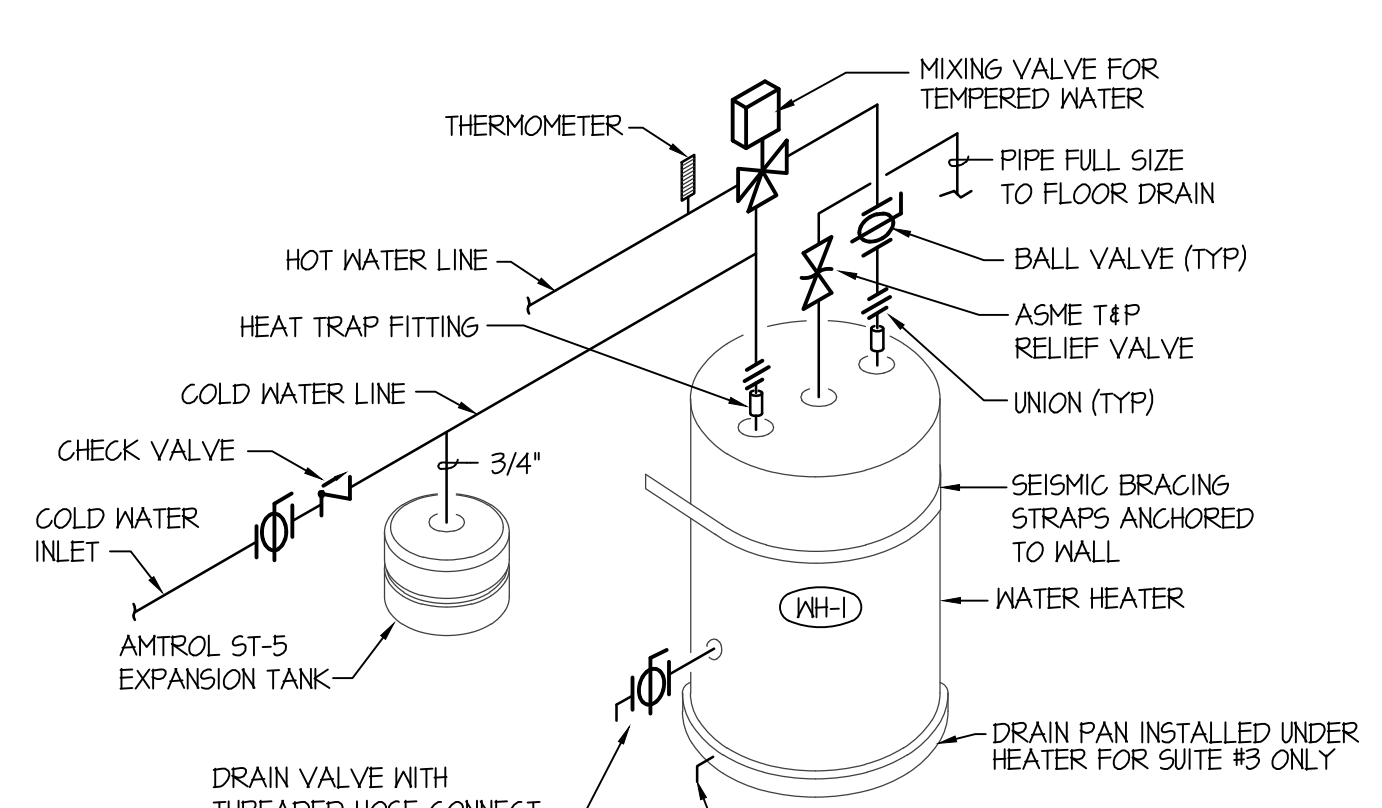


ROOFTOP UNIT CONDENSATE DRAIN DETAIL
NO SCALE

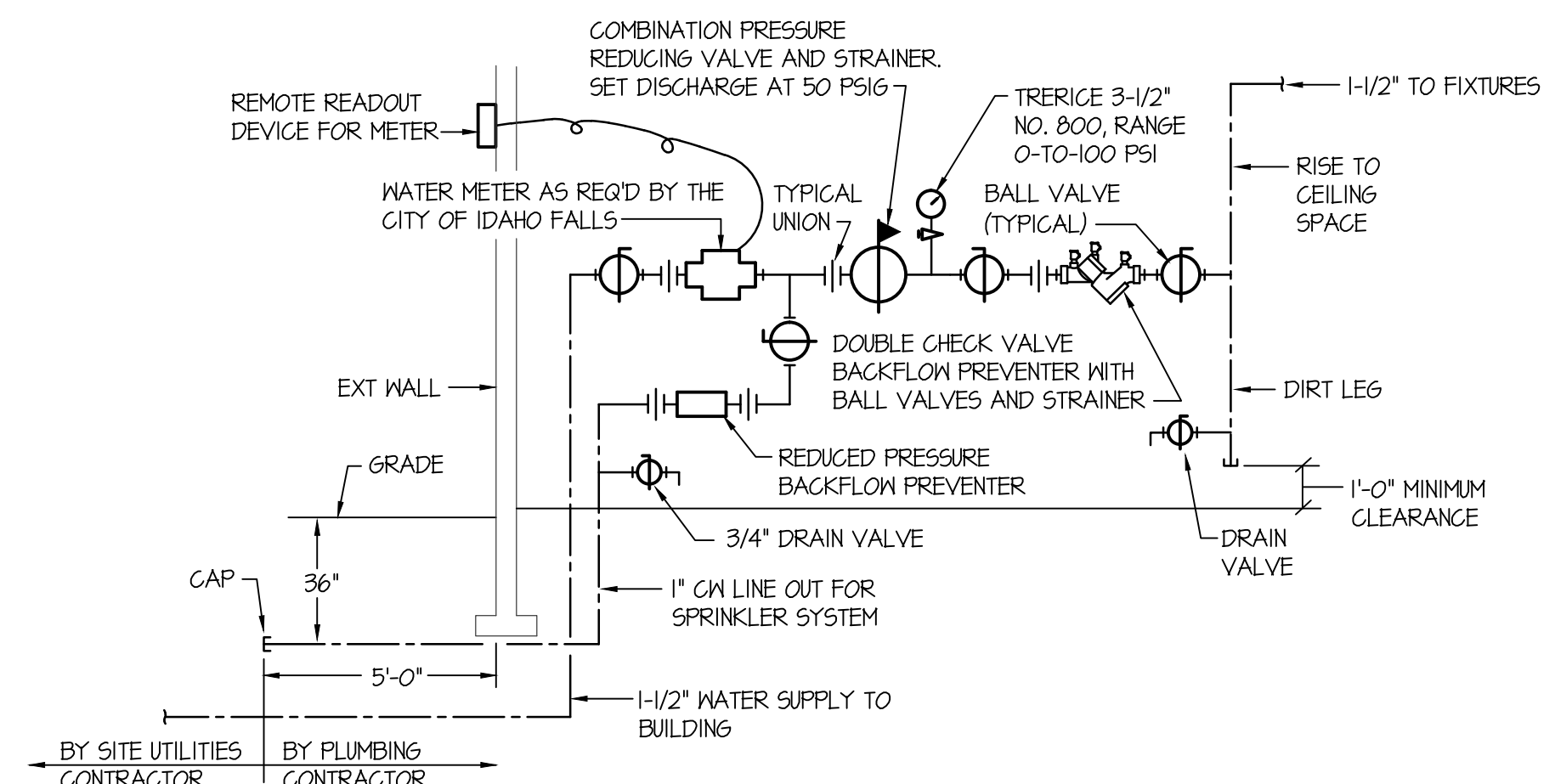
FIXTURE SCHEDULE					
SYM.	DESCRIPTION	HOT	COLD	WASTE	VENT
BS-1	BREAK ROOM DOUBLE COMPARTMENT SINK - ELKAY MODEL LR-3314 WITH 18 GA TYPE 304 STAINLESS STEEL CONSTRUCTION, 3-HOLE FAUCET DRILLINGS, MOEN T560SL FAUCET, (2) LK-41 STRAINERS, 1-1/2" P-TRAP AND 1/2" BALL TYPE STOP VALVES.	1/2"	1/2"	1-1/2"	1-1/2"
DF-1	SINGLE DRINKING FOUNTAIN - ELKAY MODEL L250N6LK WITH E2H20 BOTTLE FILLER FLEXI-GUARD BUBBLERS, 1/2" STOP AND 1-1/2" P-TRAP. PROVIDE ALL INTERCONNECTING PIPING AND DRAIN.	---	1/2"	1-1/2"	1-1/2"
DS-1	ROOF DRAIN DOWN SPOUT - JAY R SMITH MODEL IT10 SIZE 3" WITH ROUGH BRONZE FINISH AND 3" DRAIN LINE CONNECTION.	---	---	3"	---
DS-2	ROOF DRAIN DOWN SPOUT - JAY R SMITH MODEL IT10 SIZE 4" WITH ROUGH BRONZE FINISH AND 4" DRAIN LINE CONNECTION.	---	---	4"	---
FD-1	2" FLOOR DRAIN - ZURN Z-415 WITH 5" Ø NICKEL-BRONZE STRAINER AND 2" DEEP SEAL P-TRAP	---	---	2"	2"
JS-1	FLOOR MOUNTED SERVICE SINK - KOHLER K-6710 "WHITE" W/ K-8440 WIRE RIM GUARD, K-8428 FAUCET ASSEMBLY & K-4142 STRAINER & DEEP SEAL P-TRAP. HOSE & HOSE CLAMP	1/2"	1/2"	2"	2"
HB-1	EXTERIOR HOSE BIBB - ZURN MODEL Z-1310 "ECOLOTRON" WITH REMOVABLE KEY. LENGTH TO SUIT WALL THICKNESS.	---	3/4"	---	---
JS-2	FLOOR MOUNTED SERVICE SINK - FIAT MODEL MSBDT62424 W/ 830AA FAUCET ASSEMBLY, 832AA HOSE AND BRACKET AND DRAIN STRAINER WITH DEEP SEAL P-TRAP.	1/2"	1/2"	2"	2"
L-1	ADA LAVATORY. OWNER PROVIDED AND CONTRACTOR INSTALLED LAVATORY AND FAUCET, CONTRACTOR TO PROVIDE 1/2" BALL STOPS & 5.5. BRAIDED SUPPLIES, 1-1/2" P-TRAP INSULATE EXPOSED DRAIN, P-TRAP AND HW SUPPLY PIPING UNDER SINK.	1/2"	1/2"	1-1/2"	1-1/2"
OD-1	ROOF OVERFLOW DRAIN - JAY R SMITH MODEL 1080 SIZE 3" WITH 2" HIGH WATER DAM, UNDERDECK CLAMP AND 36" SQUARE FLASHING.	---	---	3"	---
RB-1	REFRIGERATOR SUPPLY BOX - GUY GRAY MODEL BIM815 W/ 1/2" x 1/4" SHUT OFF VALVE	---	1/2"	---	---
RD-1	ROOF DRAIN - JAY R SMITH MODEL 1010 SIZE 3" WITH UNDERDECK CLAMP AND 36" SQUARE FLASHING.	---	---	3"	---
RP-1	CIRCULATING PUMP - GRUNDFOS MODEL UP15-10B7 BRONZE PUMP WITH 3/4" FLANGES (2 GPM @ 5' OF HEAD) 120/60/1	3/4"	---	---	---
S-1	SINGLE COMPARTMENT SINK - ELKAY MODEL LRAD-1418 STAINLESS STEEL SINK WITH LKD2438BH HI-ARC FAUCET WITH WRIST BLADE HANDLES, LK35 DUO STRAINER, 1/2" STOPS AND 1-1/2" P-TRAP.	1/2"	1/2"	1-1/2"	1-1/2"
S-2	UTILITY ROOM SINK WITH GOOSENECK FAUCET - ELKAY MODEL DLR312212 WITH 18 GA TYPE 304 STAINLESS STEEL CONSTRUCTION, 3-HOLE FAUCET DRILLINGS, LKD2438BH HI-ARC FAUCET WITH WRIST BLADE HANDLES, LK-41 STRAINER, 1-1/2" P-TRAP AND 1/2" BALL TYPE STOP VALVES.	1/2"	1/2"	1-1/2"	1-1/2"
WC-1	ADA TANK TYPE WATER CLOSET - KOHLER K-3421 "HIGHLINE" W/ ELONGATED BOWL, K-4670-C WHITE OPEN FRONT SEAT, BOLT CAPS AND 1/2" STOP VALVE.	---	1/2"	4"	2"
WH-1	ELECTRIC WATER HEATER - A.O. SMITH MODEL ECRT-40 40 GALLON ELECTRIC WATER HEATER WITH 4500 WATT UPPER & LOWER ELEMENTS (240/60/1). AMITROL ST-5 EXPANSION TANK, T&P VALVE. PROVIDE POWERS 3/4" LM-441-10 MIXING VALVE. SEE DETAIL ON THIS SHEET.	3/4"	3/4"	---	---



SUITE #1 WATER HEATER PIPING DETAIL
NO SCALE



SUITE #2 & SUITE #3 WATER HEATER PIPING DIAGRAM
NO SCALE



WATER PRESSURE REDUCING STATION DETAIL
NO SCALE

ORIGINAL DRAWING SIGNED BY: DWYANE C. SUDWICKS
DATE ORIGINAL SIGNED: FEB. 26, 2019
ORIGINAL ON FILE AT ENGINEERED SYSTEMS ASSOCIATES
1355 EAST CENTER, POCATELLO, IDAHO 83201

Engineered Systems Associates
1355 EAST CENTER
POCATELLO, IDAHO 83201
PHONE: (208) 233-0501
FAX: (208) 233-0529
EMAIL: eso@engsystems.com
ESA JOB NUMBER: 18097

PROFESSIONAL ENGINEER REGISTERED
5762
STATE OF IDAHO
DWYANE C. SUDWICKS

LICENSED ARCHITECT AR-2650
MARLA R. MORGAN
STATE OF IDAHO

m
architect PLLC

MARLA MORGAN, Architect
Ph: 208.270.2244
E-Mail: morgnmr@cableone.net

OWNER: **Dr. Deirdre Conway**
IDAHO FERTILITY CENTER
535 West Sunnyside Road
Idaho Falls, ID 83402

SHEET CONTENTS

NO.	DATE	DESCRIPTION

SHEET NUMBER
P-4 OF 4

PLUMBING DETAILS & SCHEDULES